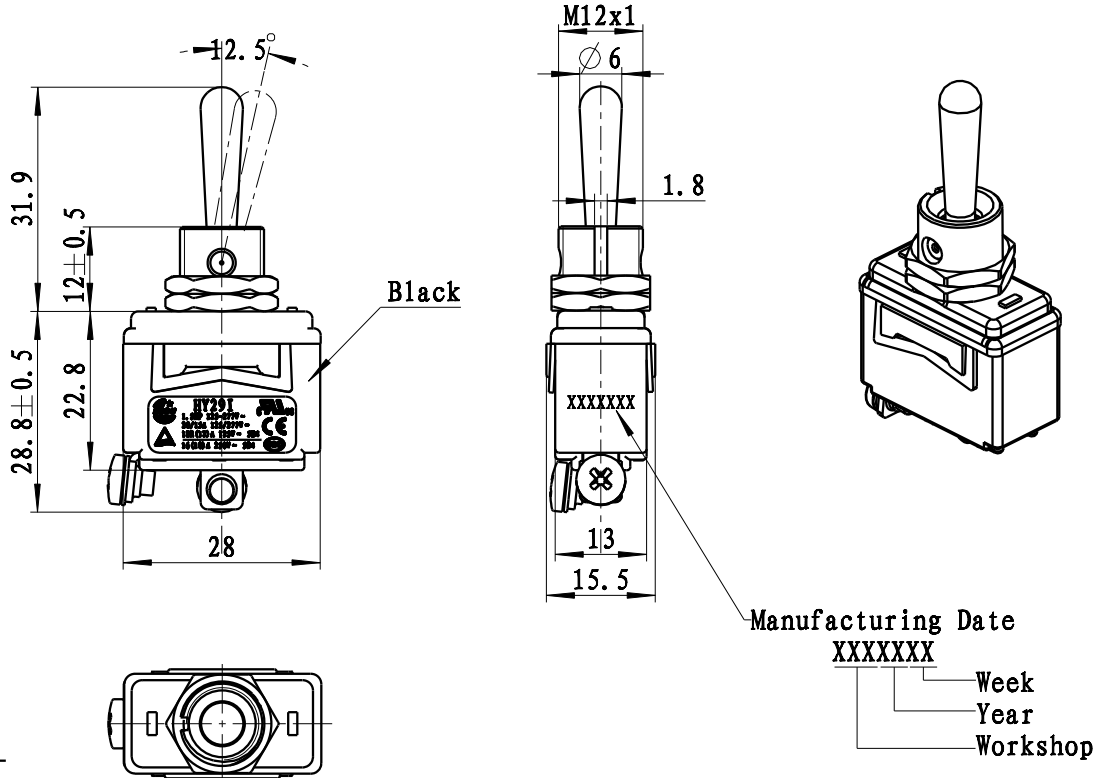


1131040023

Rejigger Index

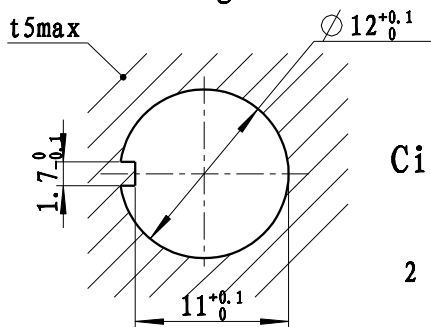
REV.	Mark	Qty	Verified Content	Description	Verified /Date	Rejigger /Date



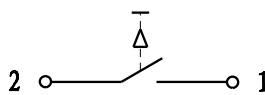
Certificate And Rating

EN 61058-1	GB 15092.1	UL 1054	UL 61058-1
16 (10) A 250V ~ 5E4	16 (10) A 250V ~ 5E4	20/15A 125/277V ~ 1.5HP 125-277V ~ 6E3	18R (12) A 125V ~ 5E4

Mounting Size



Circuit diagram



Technical Requirements

1. KEDU Product Model: HY29I;
2. Certificate and rating: See table;
3. Protection degree: IP40;
4. Function: (ON) -OFF;
5. Directive/Regulation: RoHS;
6. Screw in torque: 0.7 ~ 0.9N · m.

Tolerance Not Marked

Basic Dimension	>0 ~ 6	>6 ~ 30	>30 ~ 120	>120 ~ 300
Tolerance	± 0.1	± 0.3	± 0.5	± 1

ASSEMBLE OUTLINE

KEDU ELECTRIC

113104010
Toggle Switch

Common use register

Drawing

Collation

Old Bottom Drawing No.

Bottom Drawing No.

Signature

Designed by 黄泽旭 20210401 Standardization 王思琦 20210401

Collated by 黄邦然 20210401 Examined by 陈晓微 20210401

Date

Checked by 陈亚 20210401 Drawed by 黄泽旭 20210401

Technics Approved by 李子平 20210402

Phase Mark REV. Scale

S A 1:1

Current Page Total Page

1131040023